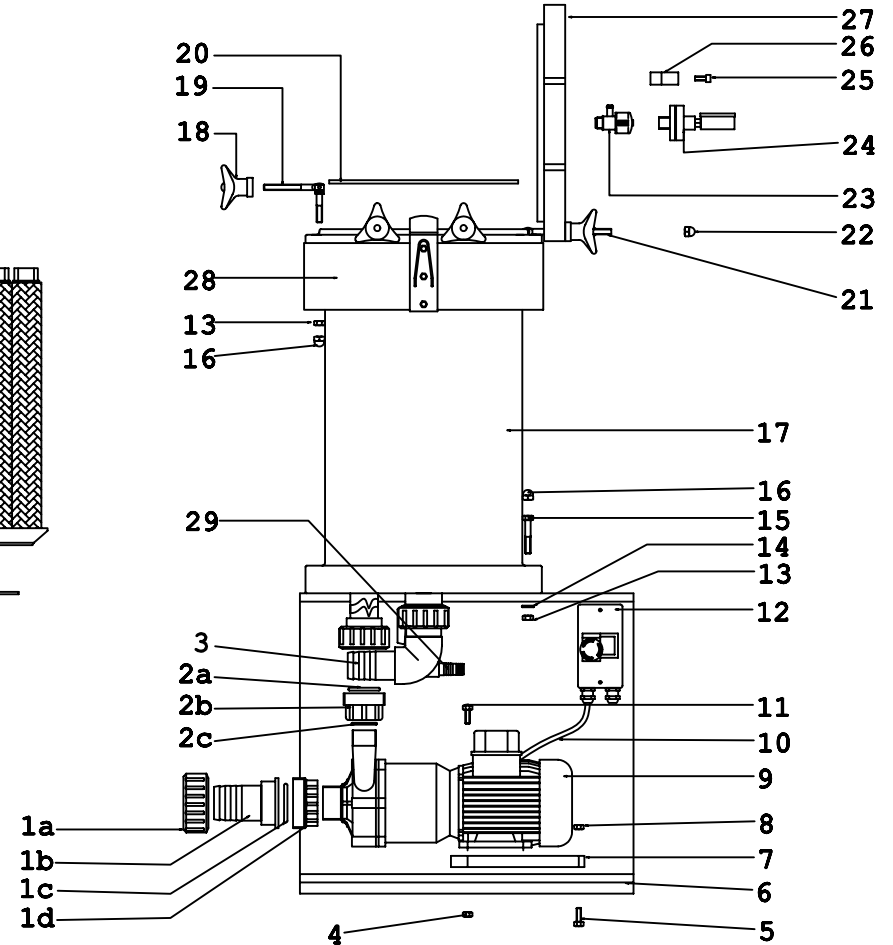
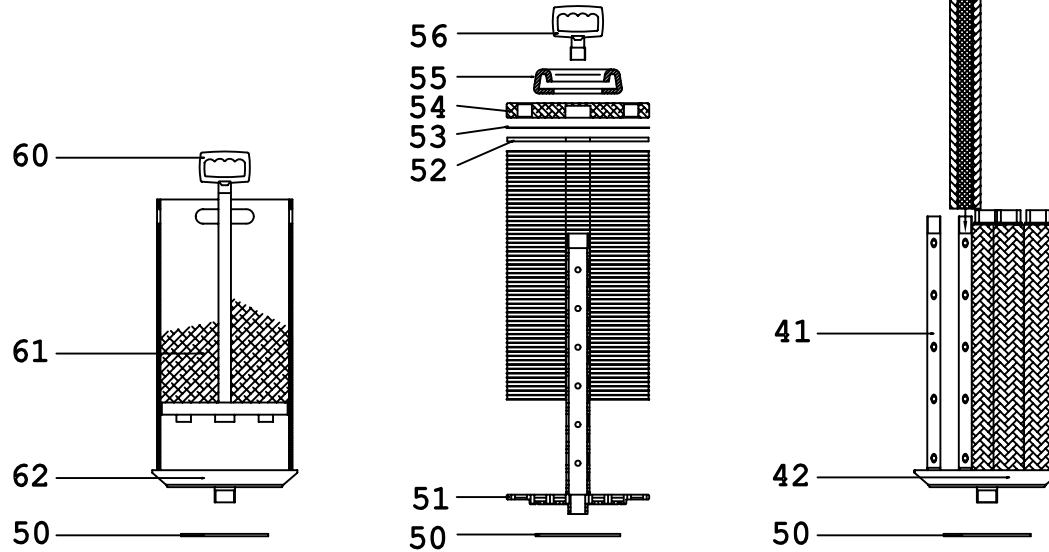


CHEMAG

Filtration Systems



1		21	LONG SWING BOLT	40	PIPE CAPS
1a	INLET UNION NUT	22	SWING BOLT CAP NUT	41	CARTRIDGE PIPE
1b	INLET HOSE BARB	23	VENT VALVE	42	PIPE BASE
1c	O-RING	24	PRESSURE GAUGE	49	CART. ASSY. (40, 41, 42)
1d	INLET HALF UNION	25	HANDLE SCREW		
2a	O-RING	26	HANDLE	50	BASE O-RING
2b	OUTLET HALF UNION	27	LID	51	DISC BASE
2c	O-RING	28	SPLASH PROOF RING	52	FILTER DISC PLATE
3	FILTER OUTLET	29	DRAIN VALVE	53	DISC FILTER MEDIA
4	NUT			54	END DISC
5	BOLT			55	COMPRESSION RING
6	FILTER BASE		**NOT SHOWN	56	FILTER PACK HANDLE
7	PUMP MOUNTING BASE	30	**VENT DRAIN HOSE		
8	NUT	31	**HOSE CLAMP		
9	PUMP			59	DISC ASSY. (51, 52, 54, 55, 56)
10	POWER CABLE			60	OIL FILTER DIFFUSER
11	BOLT			61	OIL FILTER MEDIA
12	SWITCH			62	FILTER HOLDER BASE
13	FILTER BODY NUT				
14	FILTER BODY WASHER				
15	FILTER BODY BOLT				
16	BOLT CAP				
17	FILTER BODY **size (1530)**				
18	HANDWHEEL				
19	SHORT SWING BOLT				
20	LID GASKET				



DRAWING NAME: EXPLODED VIEW PARTS LIST

DRAWING# 00001

MODEL# GF Series

DATE: 11/27/06